

PALLOTTON[®]
H I N G E S & M O R E



Palladium[®]

Design Catalogue



PALLOTTON[®]
H I N G E S & M O R E

Design Catalogue

survey no 126, jamnagar-khambhalia highway
at post: vasai 361 006, jamnagar, gujarat
t +91 288 288 5502/03 | f +91 288 288 5788
e info@palladiumproducts.com | swans_ad1@bsnl.in
w www.palladiumproducts.com

C O N T E N T S

	about pallotton
	history of hinges
1 - 3	railway hinges
5 - 7	railway smooth hinges
9 - 11	railway washer hinges
13 - 15	bearing hinges
17 - 19	railway cut & cut hinges
21 - 23	butt hinges
25 - 27	l-type hinges
31 - 33	tower bolts
35	neck tower bolts
37	cam bolt
39 - 41	aldrops & gate hooks
42	pallotton highlights
43	about palladium

welcome
to the world of
pallotton

PALLOTTON needs no introduction.
its your beloved brass hinge brand from palladium,
known and trusted.

where else would you get hinges from solid extruded brass ?

every hinge electrophoretically coated with polyurethane,
for that long lasting finish.

and did we mention, it's all in-house ?
from start to finish, the best of hinges, ready for delivery.

and not just top quality hinges,
the little some things too - tower bolts, aldrops and gate hooks.

a quick look at hinges in the past,
before you enter this world and indulge.

now & then . . .

the big debate

pre historic hinges



who really invented the mighty hinge ?
archaeologists don't agree on its exact origin.

it's believed that ancient mesopotamian cultures may
have been producing them long before the bronze age !

and these were made from stone and wood !!

the magic of metallurgy



ancient hinges

evidence of hinges has been found in ancient societies
in africa, asia, and europe.

with the knowledge of metallurgy, cultures worldwide
discovered brass and steel.

and the production of hinges increased.

size does matter

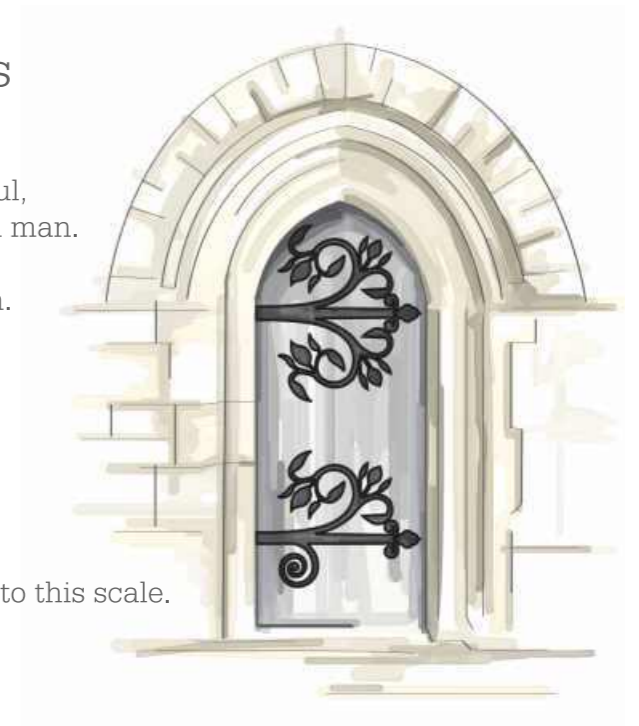
hinges in the middle ages

no more a privilege of the rich and powerful,
hinges were now available to the common man.

not just a function, hinges now found form.
and beautiful designs evolved.

and big doors needed big hinges !!

old european castle doors are a testimony to this scale.



intricate industrialization

victorian era hinges



mechanical advances and the manufacturing explosion changed the hinge forever.
the 19th century saw many innovations in hinges. hinges now had ball bearings for
smoother functioning.

affordable and available, hinges become an everyday part of our lives.
till date this has not changed

. . . now & then



railway hinges



featured here in matt finish
the railway hinge
product code 162 - 169

railway hinges

finish available
lacquer | matt | antique | steel

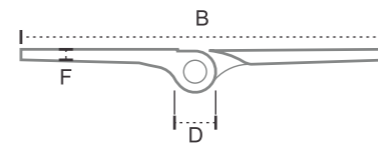
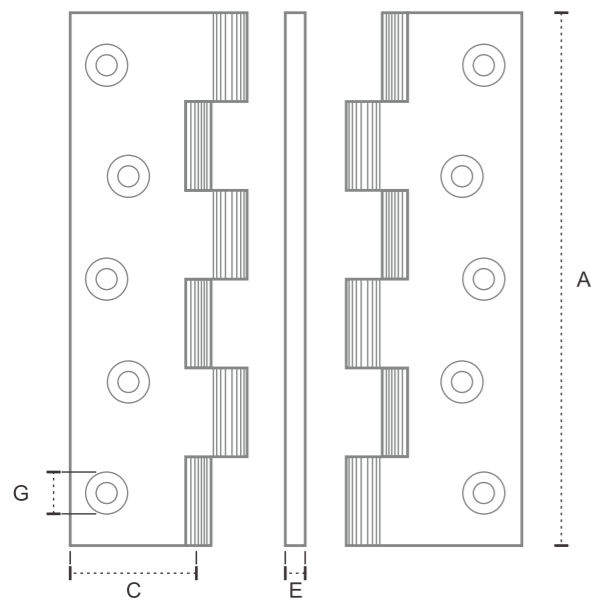


design code 162-169

RAILWAY HINGE dimensions in mm | 162-169

CODE NO	SIZE M.M.	A LENGTH	B W / OPEN	C WIDTH	D BUTT DIA	E PIN DIA	F THICKNESS	G C.S.K. DIA	SIZE OF SCREW	NO.OF HOLES
162	75 X 19	75	44	19	6	3	2	8	20 X 5	6
	75 X 22	75	50	22	6	3	2	8	20 X 5	6
163	75 X 22	75	52	22	8	4	3	9	25 X 8	6
	100 X 22	100	52	22	8	4	3	9	25 X 8	8
164	75 X 25	75	64	25	9	4.5	3	10	35 X 8	6
	100 X 25	100	64	25	9	4.5	3	10	35 X 8	8
	125 X 25	125	64	25	9	4.5	3	10	35 X 8	10
165	150 X 25	150	64	25	9	4.5	3	10	35 X 8	10
	75 X 28	75	70	28	10	4.5	3.5	10	35 X 8	6
	100 X 28	100	70	28	10	4.5	3.5	10	35 X 8	8
166	125 X 28	125	70	28	10	4.5	3.5	10	35 X 8	10
	150 X 28	150	70	28	10	4.5	3.5	10	35 X 8	10
	100 X 31	100	79	31	10	4.5	4	10	35 X 9	8
167	125 X 31	125	79	31	10	4.5	4	10	35 X 9	10
	150 X 31	150	79	31	10	4.5	4	10	35 X 9	10
	100 X 28	100	73	28	11	4.5	4.5	10	35 X 9	8
168	125 X 28	125	73	28	11	4.5	4.5	10	35 X 9	10
	150 X 28	150	73	28	11	4.5	4.5	10	35 X 9	10
	200 X 28	200	73	28	11	4.5	4.5	10	35 X 9	14
	100 X 38	100	94	38	12	4.5	4.5	10	35 X 9	8
169	125 X 38	125	94	38	12	4.5	4.5	10	35 X 9	10
	150 X 38	150	94	38	12	4.5	4.5	10	35 X 9	10
	200 X 38	200	94	38	12	4.5	4.5	10	35 X 9	14
	125 X 50	125	119	50	13	5	4.5	10	35 X 9	10
169	150 X 50	150	119	50	13	5	4.5	10	35 X 9	10
	200 X 50	200	119	50	13	5	4.5	10	35 X 9	14

RAILWAY HINGE design code | 162-168





railway smooth hinges



featured here in matt finish
the railway smooth hinge
product code 163 RK - 166 RK



railway smooth hinges

finish available
lacquer | matt | antique | steel

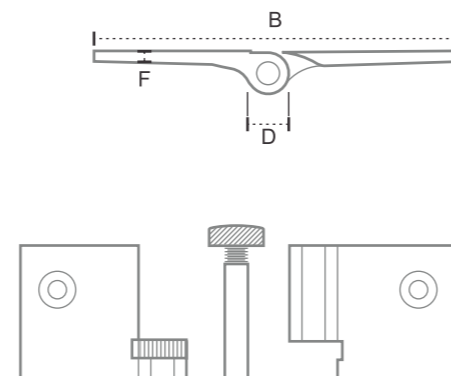
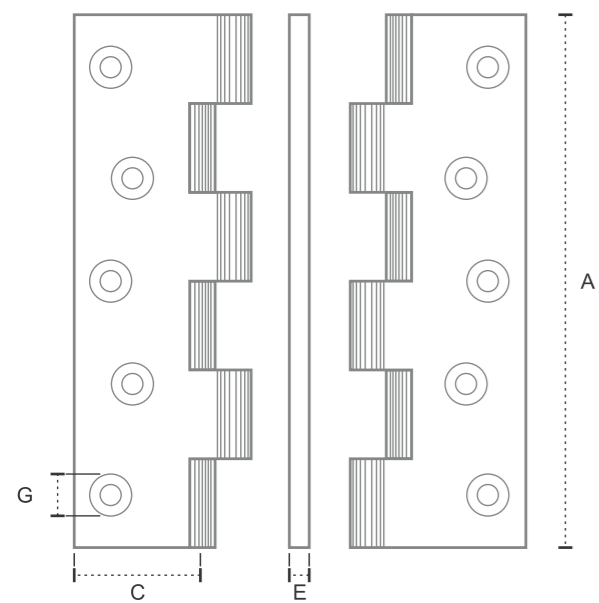


design code 163 RK-166 RK

RAILWAY SMOOTH HINGE dimensions in mm | 163 RK-166 RK

CODE NO	SIZE M.M.	A LENGTH	B W / OPEN	C WIDTH	D BUTT DIA	E PIN DIA	F THICKNESS	G C.S.K. DIA	SIZE OF SCREW	NO.OF HOLES
163 RK	75 X 22	75	52	22	8	5	3	9	25 X 8	6
	100 X 22	100	52	22	8	5	3	9	25 X 8	8
164 RK	75 X 25	75	64	25	9	5	3	10	35 X 8	6
	100 X 25	100	64	25	9	5	3	10	35 X 8	8
	125 X 25	125	64	25	9	5	3	10	35 X 8	10
165 RK	150 X 25	150	64	25	9	5	3	10	35 X 8	10
	100 X 28	100	70	28	10	5	3.5	10	35 X 8	8
	125 X 28	125	70	28	10	5	3.5	10	35 X 8	10
166 RK	150 X 28	150	70	28	10	5	3.5	10	35 X 8	10
	100 X 31	100	79	31	10	5	4	10	35 X 9	8
	125 X 31	125	79	31	10	5	4	10	35 X 9	10
	150 X 31	150	79	31	10	5	4	10	35 X 9	10

RAILWAY SMOOTH HINGE design code | 163 RK-166 RK





featured here in lacquer finish
the railway washer hinge
product code 301 R - 304 R



railway washer hinges

railway washer hinges

finish available
lacquer | matt | antique | steel

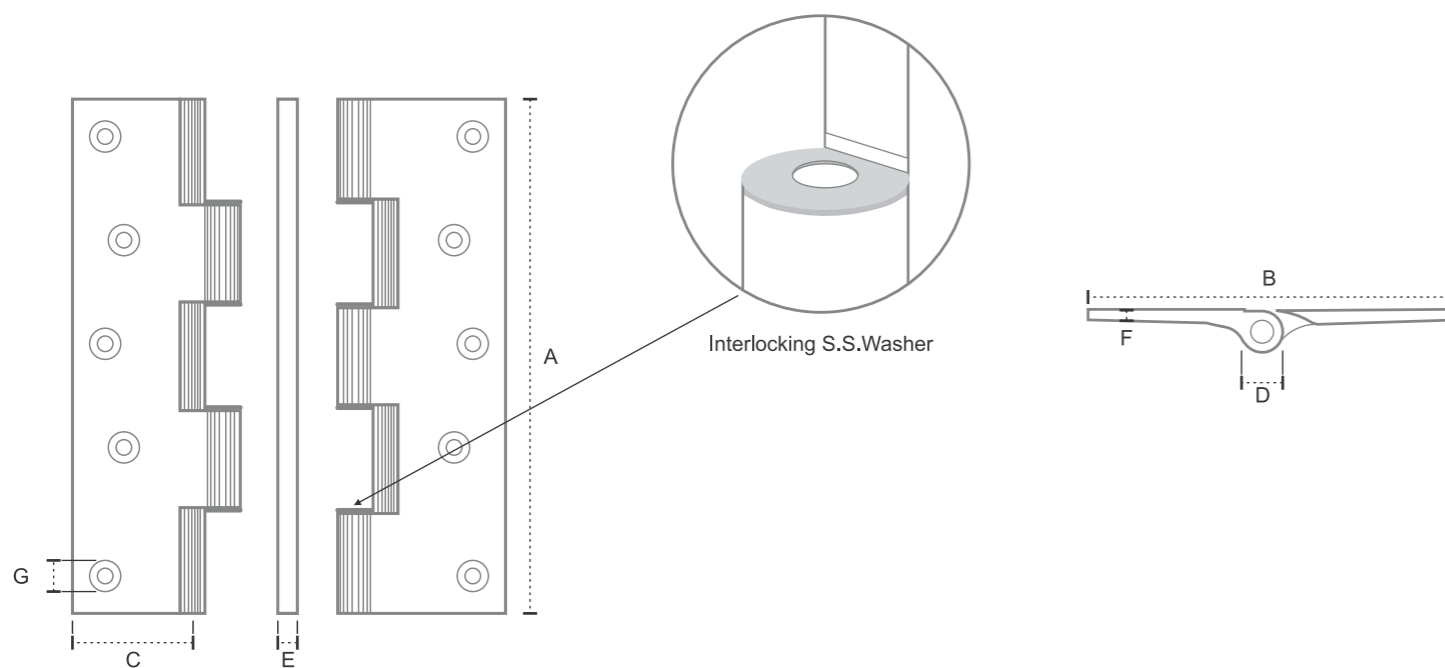


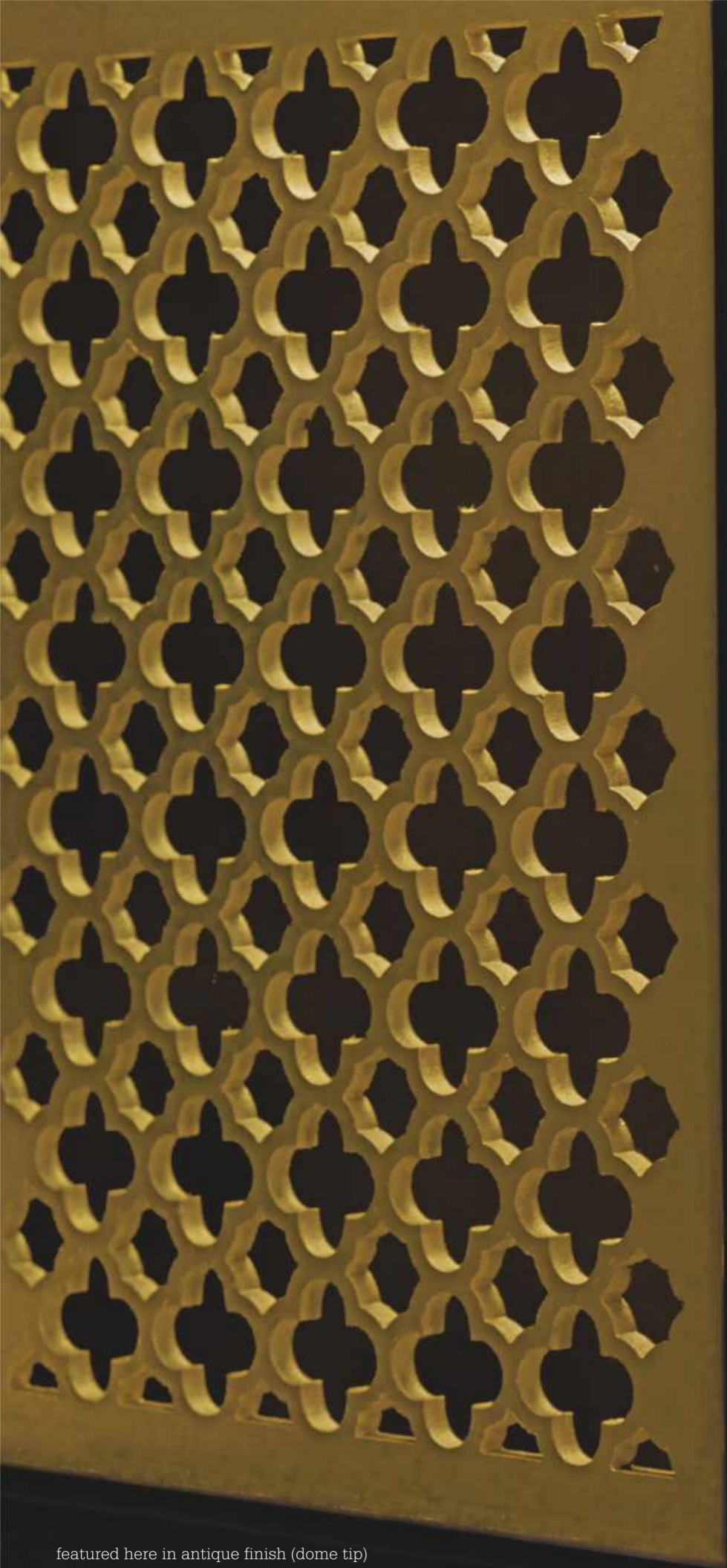
design code 301 R-304 R

RAILWAY WASHER HINGE dimensions in mm | 301 R-304 R

CODE NO	SIZE M.M.	A LENGTH	B W / OPEN	C WIDTH	D BUTT DIA	E PIN DIA	F THICKNESS	G C.S.K. DIA	SIZE OF SCREW	NO.OF HOLES
301R	75 X 22	75	53	22	8	4.5	3	9	25 X 8	6
	100 X 22	100	53	22	8	4.5	3	9	25 X 8	8
	75 X 25	75	64	25	9	4.5	3	10	35 X 8	6
	100 X 25	100	64	25	9	4.5	3	10	35 X 8	8
302R	125 X 25	125	64	25	9	4.5	3	10	35 X 8	10
	150 X 25	150	64	25	9	4.5	3	10	35 X 8	10
	100 X 28	100	70	28	10	4.5	3.5	10	35 X 8	8
303R	125 X 28	125	70	28	10	4.5	3.5	10	35 X 8	10
	150 X 28	150	70	28	10	4.5	3.5	10	35 X 8	10
	100 X 31	100	79	31	10	4.5	4	10	35 X 9	8
304R	125 X 31	125	79	31	10	4.5	4	10	35 X 9	10
	150 X 31	150	79	31	10	4.5	4	10	35 X 9	10
	125 X 38	125	94	38	12	4.5	4.5	10	35 X 9	10
	150 X 38	150	94	38	12	4.5	4.5	10	35 X 9	10
	200 X 38	200	94	38	12	4.5	4.5	10	35 X 9	14

RAILWAY WASHER HINGE design code | 301 R-303 R





bearing hinges



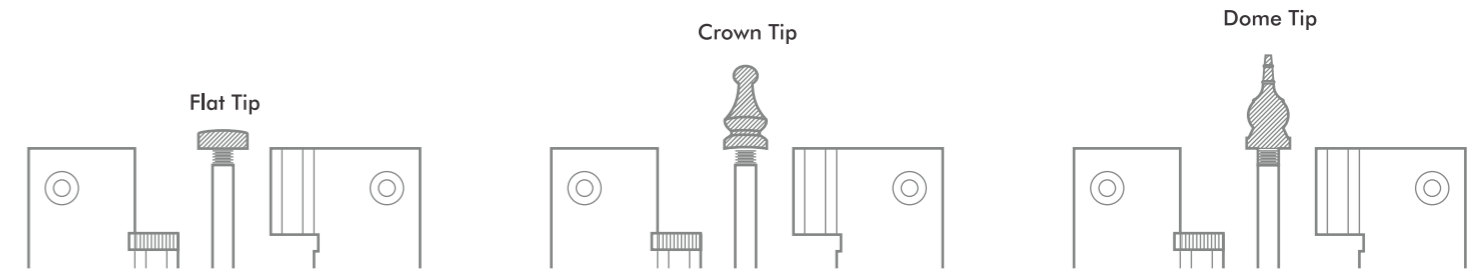
featured here in antique finish (dome tip)
the bearing hinges
product code 191 - 193

bearing hinges

finish available
lacquer | matt | antique | steel



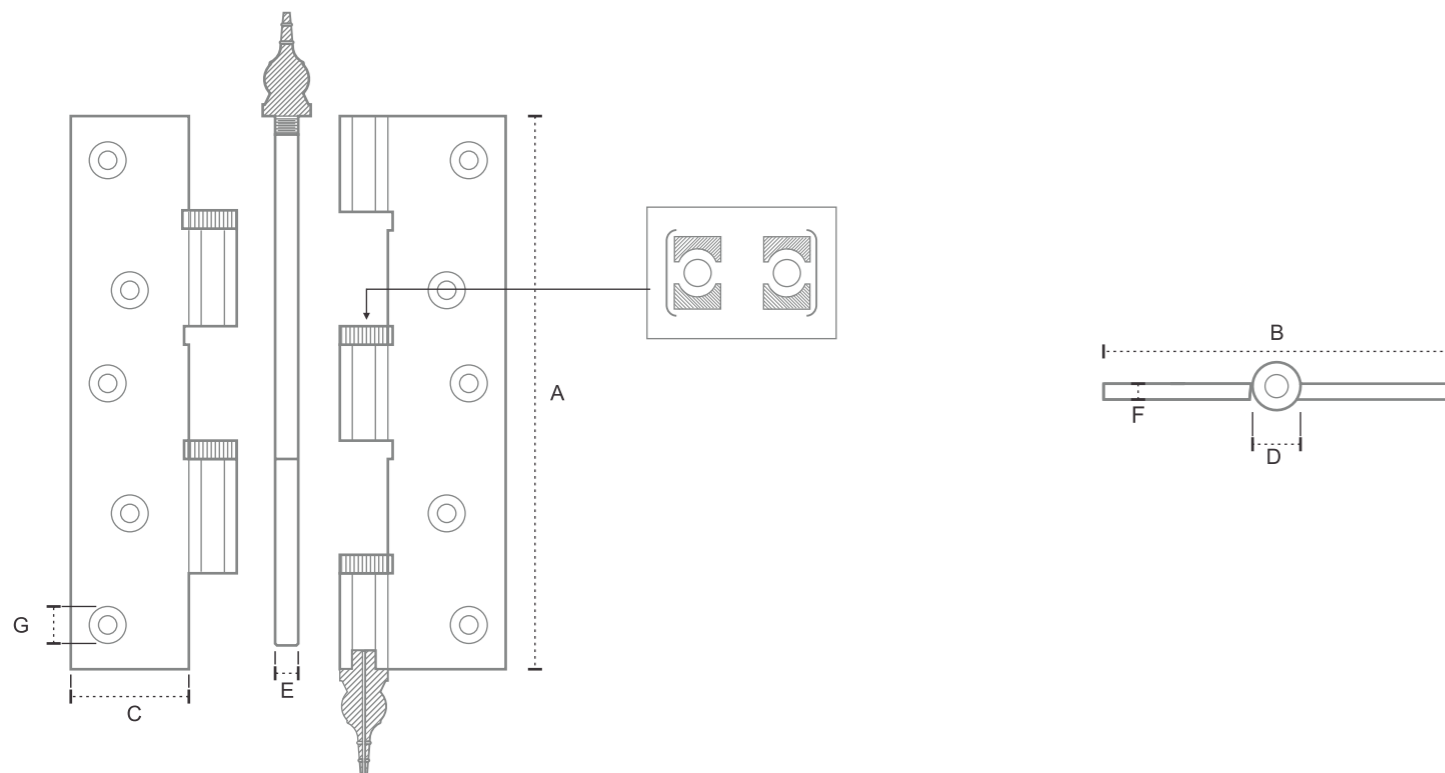
design code 191-193



BEARING HINGE dimensions in mm | 191-193

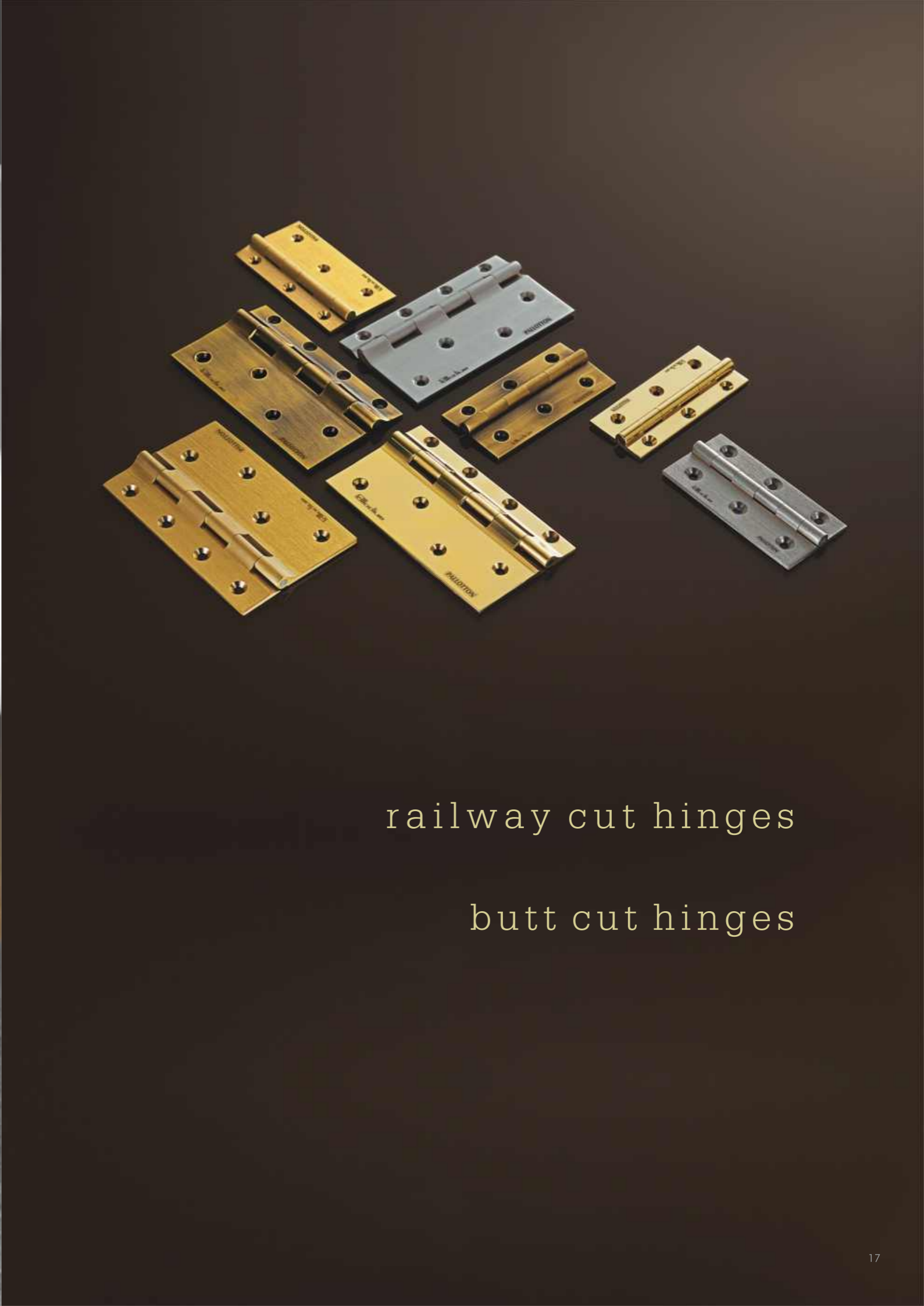
CODE NO	SIZE M.M.	A LENGTH	B W / OPEN	C WIDTH	D BUTT DIA	E PIN DIA	F THICKNESS	G C.S.K. DIA	SIZE OF SCREW	NO.OF HOLES
191	75 X 20	75	50	20	10.5	5	3	9	30 X 8	6
	100 X 31	100	75	31	12.5	6.3	3	10	35 X 8	8
	125 X 31	125	75	31	12.5	6.3	3	10	35 X 8	10
	150 X 31	150	75	31	12.5	6.3	3	10	35 X 8	10
	100 X 38	100	88	38	12.5	6.3	3	10	35 X 8	8
	125 X 38	125	88	38	12.5	6.3	3	10	35 X 8	10
192	150 X 38	150	88	38	12.5	6.3	3	10	35 X 8	10
	100 X 31	100	75	31	12.5	6.3	4	10	35 X 8	8
	125 X 31	125	75	31	12.5	6.3	4	10	35 X 8	10
	150 X 31	150	75	31	12.5	6.3	4	10	35 X 8	10
	100 X 38	100	88	38	12.5	6.3	4	10	35 X 8	8
	125 X 38	125	88	38	12.5	6.3	4	10	35 X 8	10
193	100 X 44	100	100	44	12.5	6.3	4	10	35 X 8	8
	125 X 44	125	100	44	12.5	6.3	4	10	35 X 8	10
	150 X 44	150	100	44	12.5	6.3	4	10	35 X 8	10
	125 X 38	125	88	38	16	9	5	10	35 X 9	10
	150 X 38	150	88	38	16	9	5	10	35 X 9	10
	200 X 38	200	88	38	16	9	5	10	35 X 9	14
	150 X 44	150	100	44	16	9	5	10	35 X 9	10
	200 X 44	200	100	44	16	9	5	10	35 X 9	14
	125 X 55	125	125	55	16	9	5	10	35 X 9	10
	150 X 55	150	125	55	16	9	5	10	35 X 9	10

BEARING HINGE design code | 191-193





featured here in steel finish
the butt cut hinge
product code 131 - 134



railway cut hinges

butt cut hinges

railway cut & butt cut hinges

finish available
lacquer | matt | antique | steel



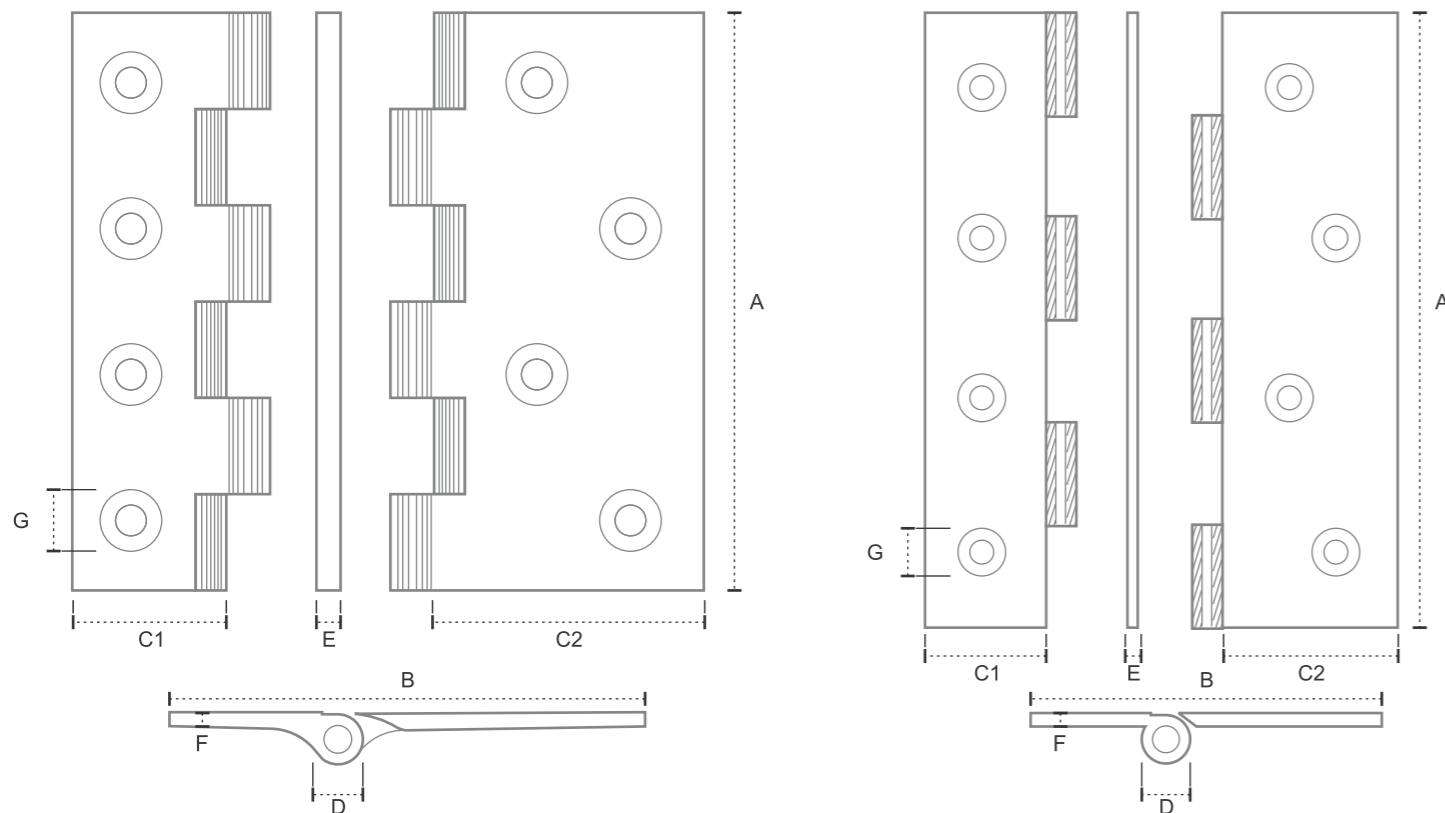
design code 175-176 | 131-134

RAILWAY CUT HINGE dimensions in mm | 175-176

CODE NO	SIZE M.M.	A LENGTH	B W / OPEN	C1 WIDTH	C2 WIDTH	D BUTT DIA	E PIN DIA	F THICKNESS	G C.S.K. DIA	SIZE OF SCREW	NO.OF HOLES
175	75 X 12 X 38	75	56	12	38	6	3	2	8	20 X 5	6
	100 X 12 X 38	100	56	12	38	6	3	2	8	20 X 5	8
176	75 X 19 X 38	75	63	19	38	6	3	2	8	20 X 5	6
	100 X 19 X 38	100	63	19	38	6	3	2	8	20 X 5	8

RAILWAY CUT HINGE design code | 175-176

BUTT CUT HINGE design code | 131-134



BUTT CUT HINGE dimensions in mm | 131-134

CODE NO	SIZE M.M.	A LENGTH	B W / OPEN	C1 WIDTH	C2 WIDTH	D BUTT DIA	E PIN DIA	F THICKNESS	G C.S.K. DIA	SIZE OF SCREW	NO.OF HOLES
131	75 X 9 X 16	75	31	9	16	6	3	2	8	20 X 5	6
	100 X 9 X 16	100	31	9	16	6	3	2	8	20 X 5	8
	75 X 9 X 19	75	34	9	19	6	3	2	8	20 X 5	6
	100 X 9 X 19	100	34	9	19	6	3	2	8	20 X 5	8
132	75 X 9 X 25	75	40	9	25	6	3	2	8	20 X 5	6
	100 X 9 X 25	100	40	9	25	6	3	2	8	20 X 5	8
133	75 X 12 X 19	75	37	12	19	6	3	2	8	20 X 5	6
	100 X 12 X 19	100	37	12	19	6	3	2	8	20 X 5	8
134	75 X 12 X 25	75	43	12	25	6	3	2	8	20 X 5	6
	100 X 12 X 25	100	43	12	25	6	3	2	8	20 X 5	8
134	75 X 19 X 25	75	50	19	25	6	3	2	8	20 X 5	6
	100 X 19 X 25	100	50	19	25	6	3	2	8	20 X 5	8



featured here in matt finish
the butt hinge
product code 111 - 112 / 121



butt hinges

butt hinges

finish available
lacquer | matt | antique | steel

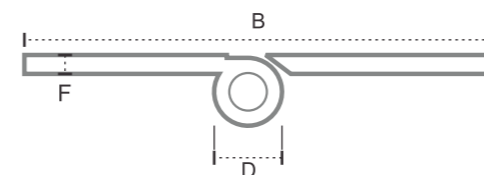
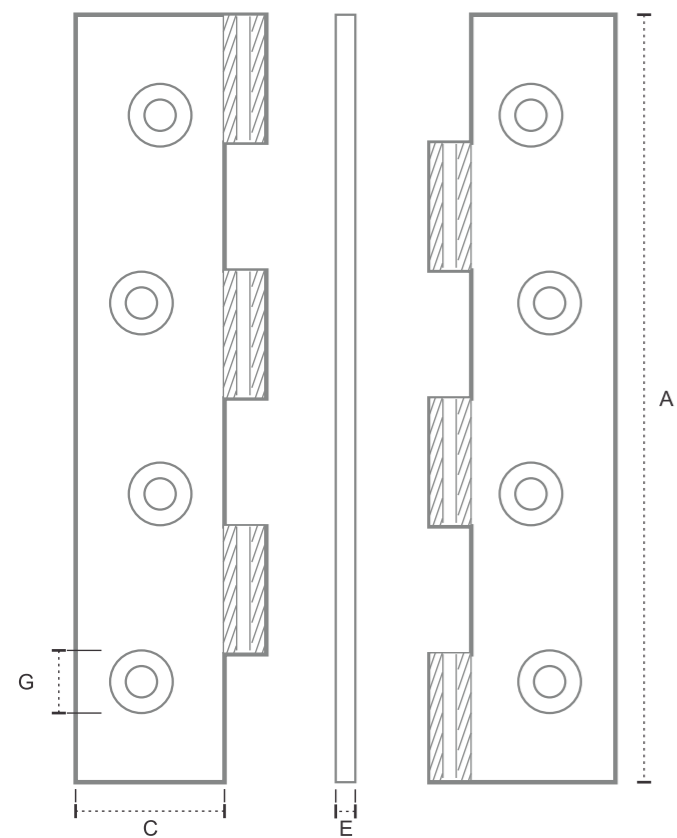


design code 111-112 / 121

BUTT HINGE dimensions in mm | 111-112 / 121

CODE NO	SIZE M.M.	A LENGTH	B W / OPEN	C WIDTH	D BUTT DIA	E PIN DIA	F THICKNESS	G C.S.K. DIA	SIZE OF SCREW	NO.OF HOLES
111	75 X 22	75	52	22	8	4	3	10	25 X 8	6
	100 X 22	100	52	22	8	4	3	10	25 X 8	8
112	75 X 25	75	58	25	8	4.5	3	10	30 X 8	6
	100 X 25	100	58	25	8	4.5	3	10	30 X 8	8
121	75 X 12	75	30	12	6	3	2	8	20 X 5	6
	75 X 16	75	38	16	6	3	2	8	20 X 5	8
	75 X 19	75	44	19	6	3	2	8	20 X 5	6
	100 X 19	100	44	19	6	3	2	8	20 X 5	8
	75 X 22	75	50	22	6	3	2	8	20 X 5	6
	100 X 22	100	50	22	6	3	2	8	20 X 5	8
	75 X 25	75	56	25	6	3	2	8	20 X 5	6
	100 X 25	100	56	25	6	3	2	8	20 X 5	8

BUTT HINGE design code | 111-112 / 121





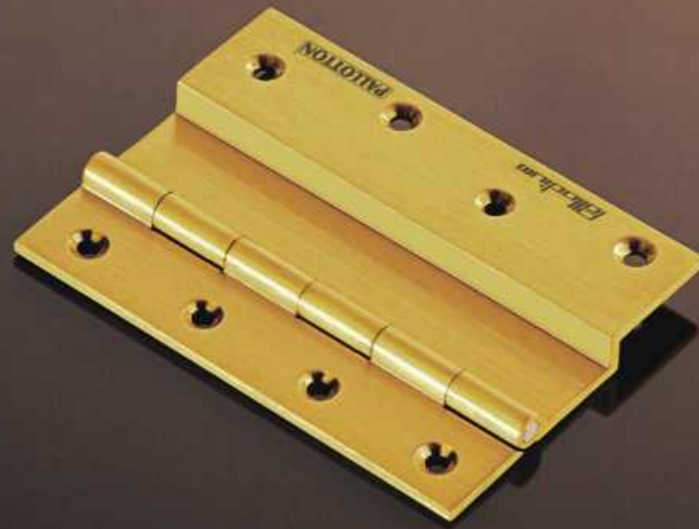
featured here in steel finish
the L-type hinge
product code 135



L type hinges

L-type hinges

finish available
lacquer | matt | antique | steel

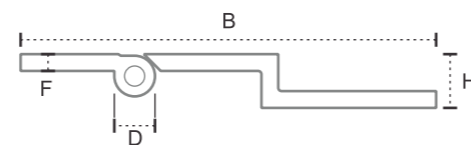
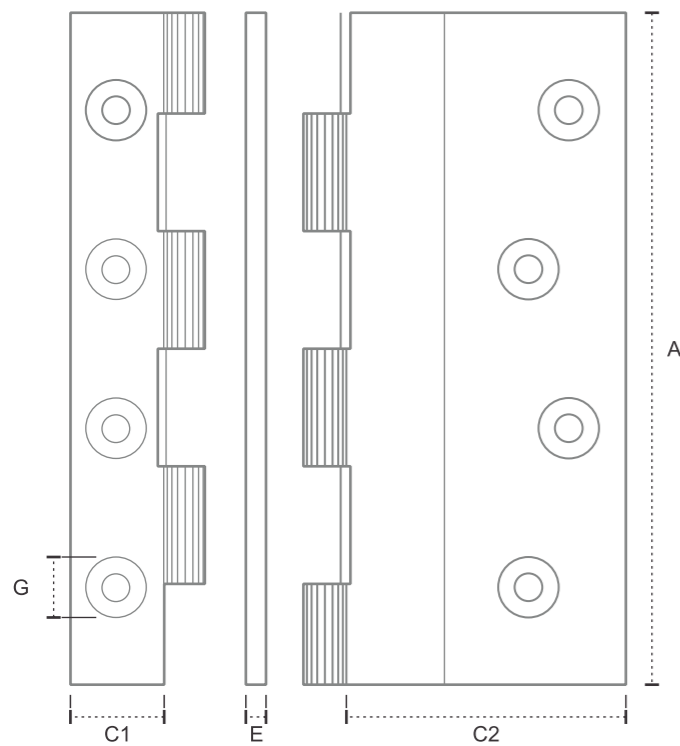


design code 135

L-TYPE HINGE dimensions in mm | 135

CODE NO.	SIZE M.M.	A LENGTH	B W/OPEN	C1 WIDTH	C2 WIDTH	D BUTT DIA	E PIN DIA	F THICKNESS	G C.S.K. DIA	H HEIGHT	SIZE OF SCREW	NO. OF HOLES
135	75 X 9 X 31 X 6	75	47	9	31	7	3	2.5	8	6	20 x 5	6
	100 X 9 X 31 X 6	100	47	9	31	7	3	2.5	8	6	20 x 5	8
	75 X 12 X 38 X 6	75	57	12	38	7	3	2.5	8	6	20 x 5	6
	100 X 12 X 38 X 6	100	57	12	38	7	3	2.5	8	6	20 x 5	8
	75 X 19 X 45 X 6	75	71	19	45	7	3	2.5	8	6	20 x 5	6
	100 X 19 X 45 X 6	100	71	19	45	7	3	2.5	8	6	20 x 5	8
	75 X 9 X 31 X 12	75	47	9	31	7	3	2.5	8	12	20 x 5	6
	100 X 9 X 31 X 12	100	47	9	31	7	3	2.5	8	12	20 x 5	8
	75 X 12 X 38 X 12	75	57	12	38	7	3	2.5	8	12	20 x 5	6
	100 X 12 X 38 X 12	100	57	12	38	7	3	2.5	8	12	20 x 5	8
	75 X 19 X 45 X 12	75	71	19	45	7	3	2.5	8	12	20 x 5	6
	100 X 19 X 45 X 12	100	71	19	45	7	3	2.5	8	12	20 x 5	8
	75 X 9 X 31 X 19	75	47	9	31	7	3	2.5	8	19	20 x 5	6
	100 X 9 X 31 X 19	100	47	9	31	7	3	2.5	8	19	20 x 5	8
	75 X 12 X 38 X 19	75	57	12	38	7	3	2.5	8	19	20 x 5	6
	100 X 12 X 38 X 19	100	57	12	38	7	3	2.5	8	19	20 x 5	8
	75 X 19 X 45 X 19	75	71	19	45	7	3	2.5	8	19	20 x 5	6
	100 X 19 X 45 X 19	100	71	19	45	7	3	2.5	8	19	20 x 5	8

L-TYPE HINGE design code | 135



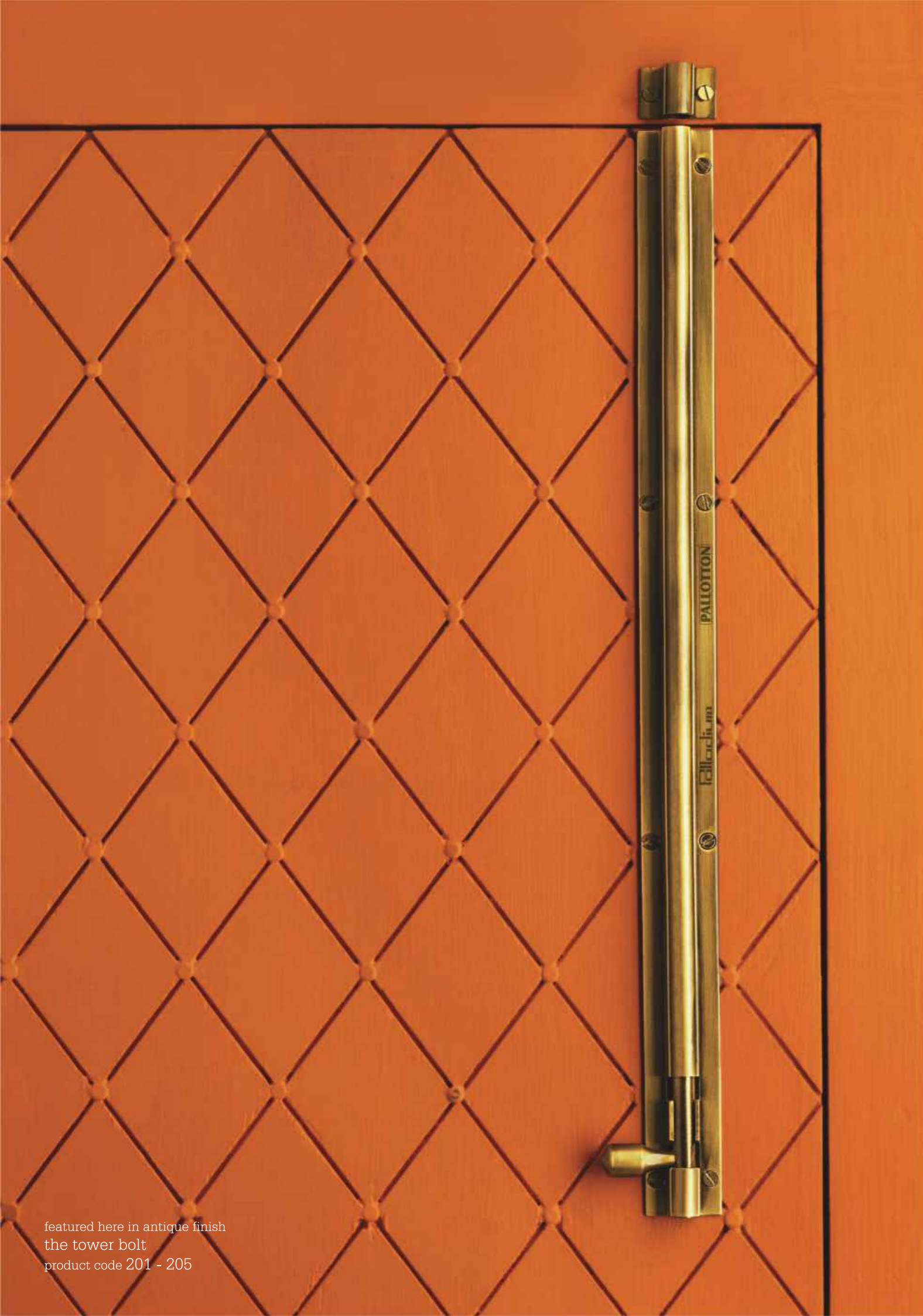


tower bolts
neck tower bolt
cam bolt
aldrops
gate hooks
beyond hinges

basic locking systems
to make beautiful doors secure
and homes safe

featured here in lacquer finish
the railway cut hinges
product code 175 - 176

don't forget to check our range
tower bolts | neck tower bolts | cam bolt | aldrops | gate hooks



featured here in antique finish
the tower bolt
product code 201 - 205



tower bolts

beyond hinges

tower bolts | neck tower bolt | cam bolt | aldrops | gate hooks



design code 201-205

TOWER BOLT design code | 201-205

BABY LATCH design code | 207



tower bolts

finish available
lacquer | matt | antique | steel



TOWER BOLT dimensions in mm | 201-205

BABY LATCH dimensions in mm | 207

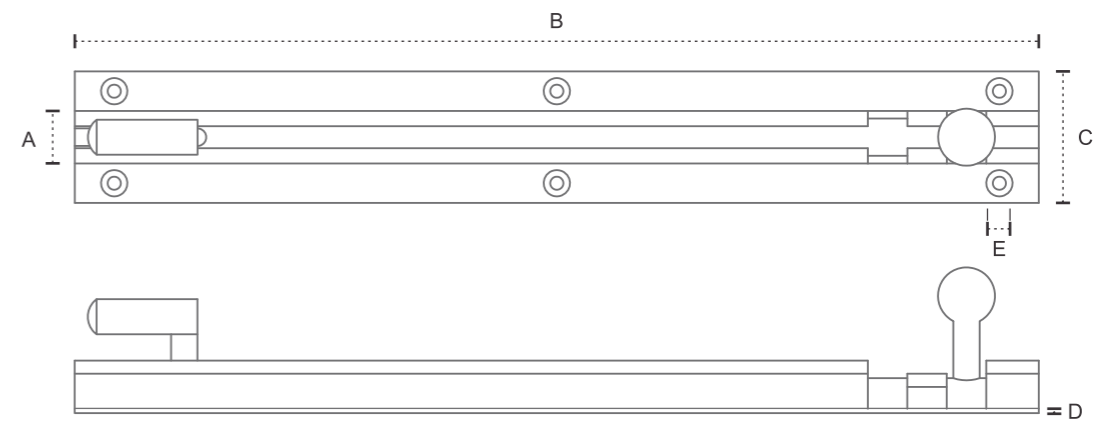
CODE NO	SIZE M.M.	A BOLT DIA	B TOWER LENGTH	C WIDTH	D PLATE THICKNESS	E C.S.K. DIA	SIZE OF SCREW	NO.OF HOLES
201	6 X 50	6	50	24	1	6	15 X 4	6
	6 X 63	6	63	24	1	6	15 X 4	6
	6 X 75	6	75	24	1	6	15 X 4	6
	6 X 100	6	100	24	1	6	15 X 4	6
202	8 X 75	8	75	27.5	1.5	8	20 X 5	6
	8 X 100	8	100	27.5	1.5	8	20 X 5	6
	8 X 150	8	150	27.5	1.5	8	20 X 5	8
	8 X 200	8	200	27.5	1.5	8	20 X 5	8
203	9 X 75	9	75	32	1.5	8	20 X 5	6
	9 X 100	9	100	32	1.5	8	20 X 5	6
	9 X 150	9	150	32	1.5	8	20 X 5	8
	9 X 200	9	200	32	1.5	8	20 X 5	8
	9 X 250	9	250	32	1.5	8	20 X 5	8
	9 X 300	9	300	32	1.5	8	20 X 5	8
	9 X 375	9	375	32	1.5	8	20 X 5	10
	9 X 450	9	450	32	1.5	8	20 X 5	10
	9 X 600	9	600	32	1.5	8	20 X 5	14
204	12 X 100	12	100	38	1.5	8	20 X 5	6
	12 X 150	12	150	38	1.5	8	20 X 5	8
	12 X 200	12	200	38	1.5	8	20 X 5	8
	12 X 250	12	250	38	1.5	8	20 X 5	8
	12 X 300	12	300	38	1.5	8	20 X 5	8
	12 X 375	12	375	38	1.5	8	20 X 5	10
	12 X 450	12	450	38	1.5	8	20 X 5	10
	12 X 600	12	600	38	1.5	8	20 X 5	14
	205	10 X 75	10	75	33	2.5	8	20 X 5
10 X 100		10	100	33	2.5	8	20 X 5	8
10 X 150		10	150	33	2.5	8	20 X 5	8
10 X 200		10	200	33	2.5	8	20 X 5	8
10 X 250		10	250	33	2.5	8	20 X 5	8
10 X 300		10	300	33	2.5	8	20 X 5	8
10 X 375		10	375	33	2.5	8	20 X 5	10
10 X 450		10	450	33	2.5	8	20 X 5	10
10 X 600		10	600	33	2.5	8	20 X 5	14
207	BABY LATCH 1/2 X 3	12	75	38	1.5	8	20 X 5	6



featured here
in steel finish
neck tower bolt
product code 201

neck tower bolt

finish available
lacquer | matt | antique | steel



NECK TOWER BOLT dimensions in mm | 208

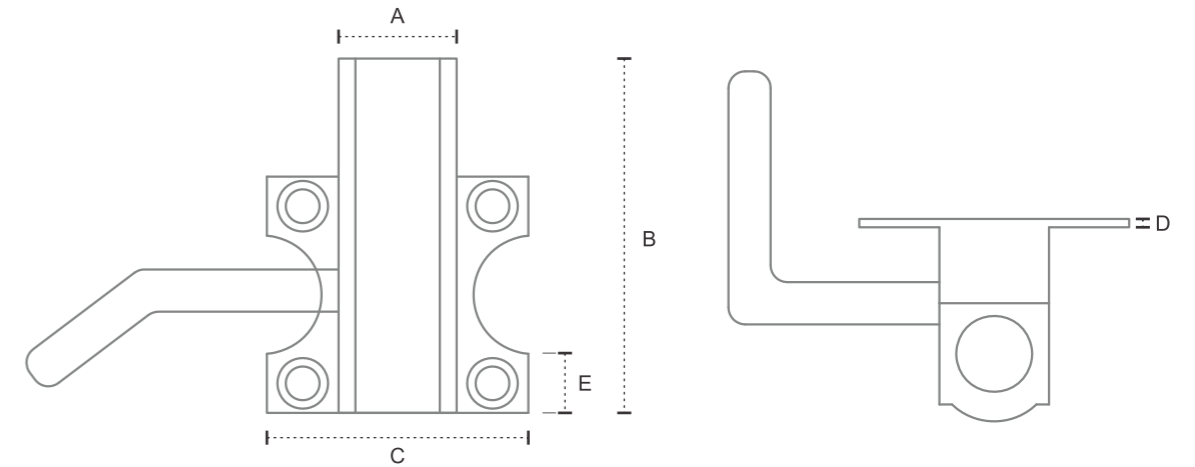
CODE NO	SIZE M.M.	A BOLT DIA	B TOWER LENGTH	C WIDTH	D PLATE THICKNESS	E C.S.K. DIA	SIZE OF SCREW	NO.OF HOLES
201	9 X 75	9	75	30.30	1.5	8	20 X 5	4
	9 X 100	9	100	30.30	1.5	8	20 X 5	4
	9 X 150	9	150	30.30	1.5	8	20 X 5	6
	9 X 200	9	200	30.30	1.5	8	20 X 5	6
	9 X 250	9	250	30.30	1.5	8	20 X 5	6
	9 X 300	9	300	30.30	1.5	8	20 X 5	8
	9 X 450	9	450	30.30	1.5	8	20 X 5	8



cam bolt



finish available
steel



CAM BOLT dimensions in mm | 209

CODE NO	SIZE M.M.	A BOLT DIA	B TOWER LENGTH	C WIDTH	D PLATE THICKNESS	E C.S.K. DIA	SIZE OF SCREW	NO.OF HOLES
209	9 X 42	9	42	32	1.5	7	20 X 5	4

featured here
in steel finish
cam bolt
product code 209



featured here in lacquer finish
the aldrop (latch)
product code 251

aldrops (latches)

Made from a combination of solid extruded brass and one piece casting. The design and performance ensure maximum security.

Each product is electrophoretically coated with polyurethane to impart a long lasting finish.



gate hooks

Made from solid extruded brass / casted brass / one piece casting and machined with utmost accuracy and perfection to enhance performance.

Each product is electrophoretically coated with polyurethane to impart a long lasting finish.





gate hooks

finish available
lacquer | matt | antique | steel



aldrops (latches)

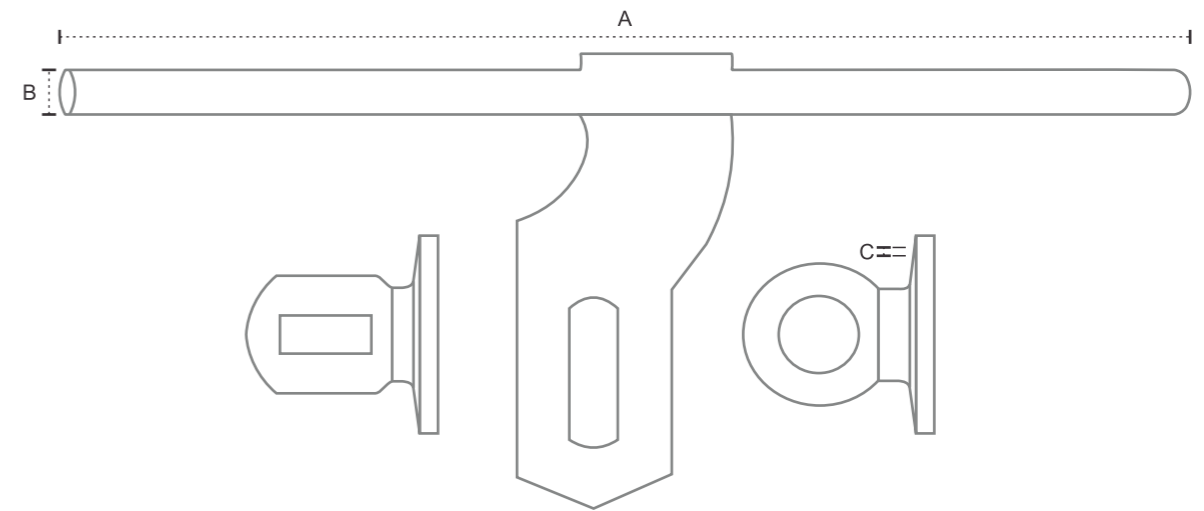
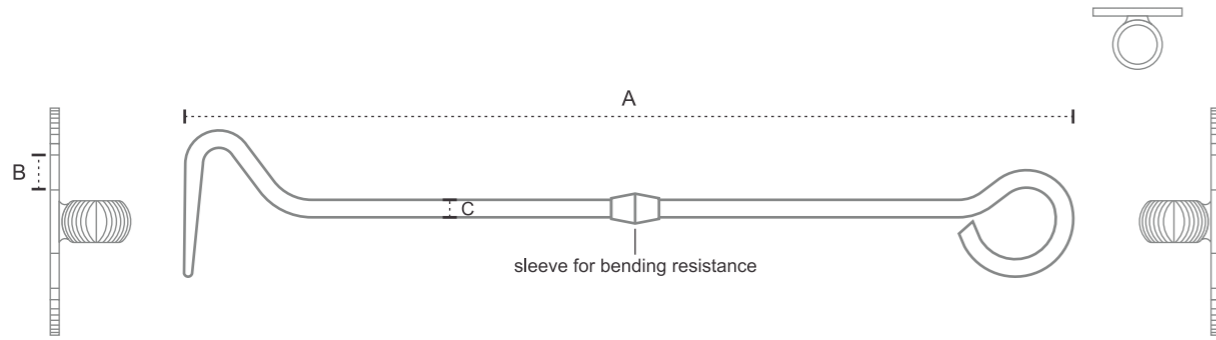
finish available
lacquer | matt | antique | steel

beyond hinges

tower bolts | neck tower bolt | cam bolt | aldrops | gate hooks

beyond hinges

tower bolts | neck tower bolt | cam bolt | aldrops | gate hooks



GATE HOOKS dimensions in mm | 211

ALDROPS (LATCHES) dimensions in mm | 251

CODE NO	A SIZE	C ROD DIA	B C.S.K.	SCREW SIZE	NO. OF HOLES
211	63	5.2	8	20 X 5	4
	75	5.2	8	20 X 5	4
	100	5.2	8	20 X 5	4
	125	5.7	8	20 X 5	4
	150	5.7	8	20 X 5	4
	200	5.7	8	20 X 5	4
HEAVY	150	6.2	8	20 X 5	4

CODE NO	SIZE M.M.	A LENGTH	B ROD DIA	C C.S.K.	SCREW SIZE	NO. OF HOLES	SIZE OF MACHINE SCREW
251	12 X 200	200	12	8	20 X 6	12	8 X 32
	12 X 250	250	12	8	20 X 6	12	8 X 32
	16 X 250	200	16	8	20 X 6	12	8 X 32
	16 X 300	300	16	8	20 X 6	12	8 X 32
	16 X 350	350	16	8	20 X 6	12	8 X 32
	19 X 300	300	19	8	20 X 6	12	8 X 32
	19 X 350	350	19	8	20 X 6	12	8 X 32
	19 X 400	400	19	8	20 X 6	12	8 X 32
	19 X 450	450	19	8	20 X 6	12	8 X 32

solid extruded brass

electrophoretically
coated

promise
against
door
lowering

PALLOTTON[®]
HINGES & MORE



Palladium[®]
AN ISO 9001:2000 COMPANY

Founded by Shri Vrajlal K Shah, in 1976, Palladium has been the market leader with the goal to give the customers their best. Under his leadership and guidance the company grew to become the biggest quality builder's hardware manufacturer over the last 36 years.

Through out this journey of more than 36 years, palladium has been one of the only companies to adopt new technologies, hire professional product designers, hence giving a better product to end users and improving their quality of products.

The company manufacturers almost all the items required for door and window fittings at its plant spread across 15000 sq ft in Jamnagar from where apart from manufacturing, all other aspects like purchase, sales, exports, marketing and administration are handled. Palladium, with the strength of 10 technocrats and more than 100 skilled workers is constantly working for quality upgrading, new products and better finishes to give better value for money to millions of its customers all over India and markets like Middle East, Australia, Europe, Africa and Far East.

With the technical support of Hawking U.K. The company setup the biggest electrophoretic polyurethane coating plant in Asia in the year 1999-2000 to achieve products with long lasting finishes of various kinds.

The company was accredited with ISO 9001:2000 in the year 2003 which was further upgraded to ISO 9001:2008.

Retailed under the PALLADIUM banner, the best brass hinges, are now available as



PALLOTTON[®]
HINGES & MORE



t w i s t
c o c o
c o n e c u r v e
c h a m f c h a m p
b o l d & b e a u t i f u l
d e e
d o u b l e d e l i g h t
b o l d p l u s
c e e
l o c k b o d i e s
p i n c y l i n d e r s
h i n g e s

PALLINNOX[®]
H A N D L E S & M O R E

[p a l l i n n o x . c o m](http://pallinnox.com)



palladium products.com





Palladium®

survey no 126, jamnagar-khambhalia highway, at post : vasai 361 006, jamnagar, gujarat
t: +91-288-288-5502/03 | f: +91-288-288-5788 | e: info@palladiumproducts.com, swans_ad1@bsnl.in